



Testing, Mitigation, System Design
CCB 180537
CASCARI927C1
Fed ID 26-1809992

12839 NE Airport Way, Building 9
Portland, Oregon 97230
Phone: (503) 421-4813
Fax: (503) 281-6170
Office@CascadeRadon.com

Radon Survey Analysis Job #17-C154F

for

Corbett School District Corbett Arts Program With Spanish

c/o Steve Salisbury

property located at

32405 E Historic Columbia River Hwy
Corbett OR 97019

February 12, 2026

Introduction

The following report documents a study of radon levels for the property located at 32405 E Historic Columbia River Hwy Corbett OR 97019. The goal of this study is to determine indoor radon levels for all areas in contact with the ground. Testing performed per Oregon Health Authority School Testing Protocols.

Analysis assumes that the buildings tested were maintained under “closed-building” conditions (windows closed and exterior doors shut immediately after entering and exiting), as well as normal indoor temperatures, for the duration of the testing period. The H-VAC system for each building was set to normal occupied settings for the entirety of the testing period.

Conclusions and Recommendations

Test was a “Short-Term” test, with minimum duration of 60 hours. See the chart below of areas in buildings that were tested, and the corresponding levels found. Maps of the test levels are provided in Appendix A. Note that all Fourteen(14) locations tested had results below the USEPA Action Level of 4.0 pCi/L.

No mitigation action is recommended at this time. While the USEPA recommends buildings be fixed if the radon level is 4.0 pCi/L or more, because there is no known safe level of exposure to radon, the US EPA also suggests individuals consider fixing buildings for radon levels between 2.0 pCi/L and 4.0 pCi/L.

This report represents the average radon concentration for the period that testing was and at the specific location(s) within the building. The concentration of radon gas in indoor air can vary widely; it fluctuates daily, seasonally, and with weather conditions. Indoor radon levels may be affected by barometric pressure, strong winds, rain-soaked ground, snow cover, heating and A/C systems, building construction, open windows, and the like. For further confirmation of average, long-term radon levels, it is suggested that long-term, Alpha-Track type radon testing be performed.

NOTE: It is recommended from the Oregon Health Authority that any school indicating low radon values be retested at least every 10 years. In areas where mitigation has been performed, it is recommended to test using long-term testing at least every 5 years.

Radon Level Measurements

The building tested was assumed occupied during testing.
The measurement technique used Sixteen(16) AirChek activated charcoal kits.

Test Start Date: 1/26/2026

Test End Date: 1/30/2026

Measurements of radon levels were made in the following areas:

Table 1: Results

Room	Floor	Kit ID#	Test Start Time	Test End Time	Result (pCi/L)
Basement	0	12350164	8:00 am	7:00 am	1.4
Counseling	1	Duplicate Avg	7:00 am	7:00 am	0.9
Gym East	1	12350035	7:00 am	7:00 am	1.1
Gym Stage	1	12350145	7:00 am	7:00 am	0.6
Mr.Long Classroom	1	Duplicate Avg	8:00 am	7:00 am	1.5
Mr.McIntir Print	1	12350113	7:00 am	7:00 am	1.2
Mr.McIntir Classroom	1	12350037	7:00 am	7:00 am	0.8
Ms B	1	12279891	8:00 am	7:00 am	1.2
Ms. White Classroom	1	12350023	8:00 am	7:00 am	0.3
Office and Care Rm	1	12350102	7:00 am	7:00 am	0.6
Room 115	1	12279893	7:00 am	7:00 am	0.7
Room 117	1	12350170	7:00 am	7:00 am	0.7
Room 118	1	12279874	7:00 am	7:00 am	1.0
Room 124	1	12350152	8:00 am	7:00 am	1.1

Duplicate measurements were conducted as a means to assess the precision of the test measurements. The criteria of acceptance is that the average relative percent difference (ARPD) of the results of the two measurement results for results whose averages are greater than 4.0, should be within 25%. The results of the collated duplicates are provided in Table 2. The applicable ARPD for this survey was not applicable and is thus in compliance.

Table 2: *Duplicate Table

Room	Kit ID#	Test Start Time	Test End Time	Result (pCi/L)	Average (pCi/L)	Avg > 3.9 pCi/L?	RPD%
Counseling	12350031	7:00 am	7:00 am	0.9	0.9	Yes	0%
	12350155	7:00 am	7:00 am	0.9			
Mr Long	12350172	8:00 am	7:00 am	1.6	1.5	Yes	20.7%
	12350191	8:00 am	7:00 am	1.3			
Average RPD for Duplicate Averages more than 3.9 pCi/L:							N/A
In Compliance:							Yes

As a means to determine any biases in the results, detectors were deployed but not opened. At the time of test retrieval of the regular test, the devices were removed from their packaging and sent to the laboratory for blind analysis. The results of these unexposed devices are shown in Table 3. As can be seen, the laboratory reported these at the lower level of detection, indicating that no biases were introduced in handling and shipping of the devices.

Table 3: Blanks

Room	Blank #	Kit ID#	Result (pCi/L)	In Compliance?
Office and Care Room	1	12279801	0.3	Yes

A device was also selected from the lot of detectors that were utilized for exposure to a known radon environment at a spiking chamber (Bowser-Morner, NEHANRPP ID# 101 TC). After exposure, the device was submitted as a blind measurement to the laboratory. A comparison of the reported reading from the lab and the known concentration in the chamber is as follows:

Chamber concentration to which device was exposed:	22.6pCi/L
Concentration reported by lab:	19.9pCi/L
Relative percent difference (RPD):	12.7%

The RPD between the reported and spiking concentration is well within normal limits.

Key:

pCi/L: Picocuries per liter – units of radon concentration.

Average (Avg): Cumulative average of the entire period since the test started.

Invalid: Kit is void due to being found on floor, damaged, missing, or visibly tampered with after placement

Testing Conditions:

The basement space is utilized for storage only.

Weather:

1/26 A.40° L.35° H.45° (Mostly Cloudy)

1/27 A.40° L.38° H.42° (Mostly Sunny)

1/28 A.41° L.38° H.45° (Cloudy)



1/29 A.47° L.44° H.48° (Scattered Showers)

1/30 A.48° L.47° H.51° (Cloudy)

Please contact me if you have any questions.

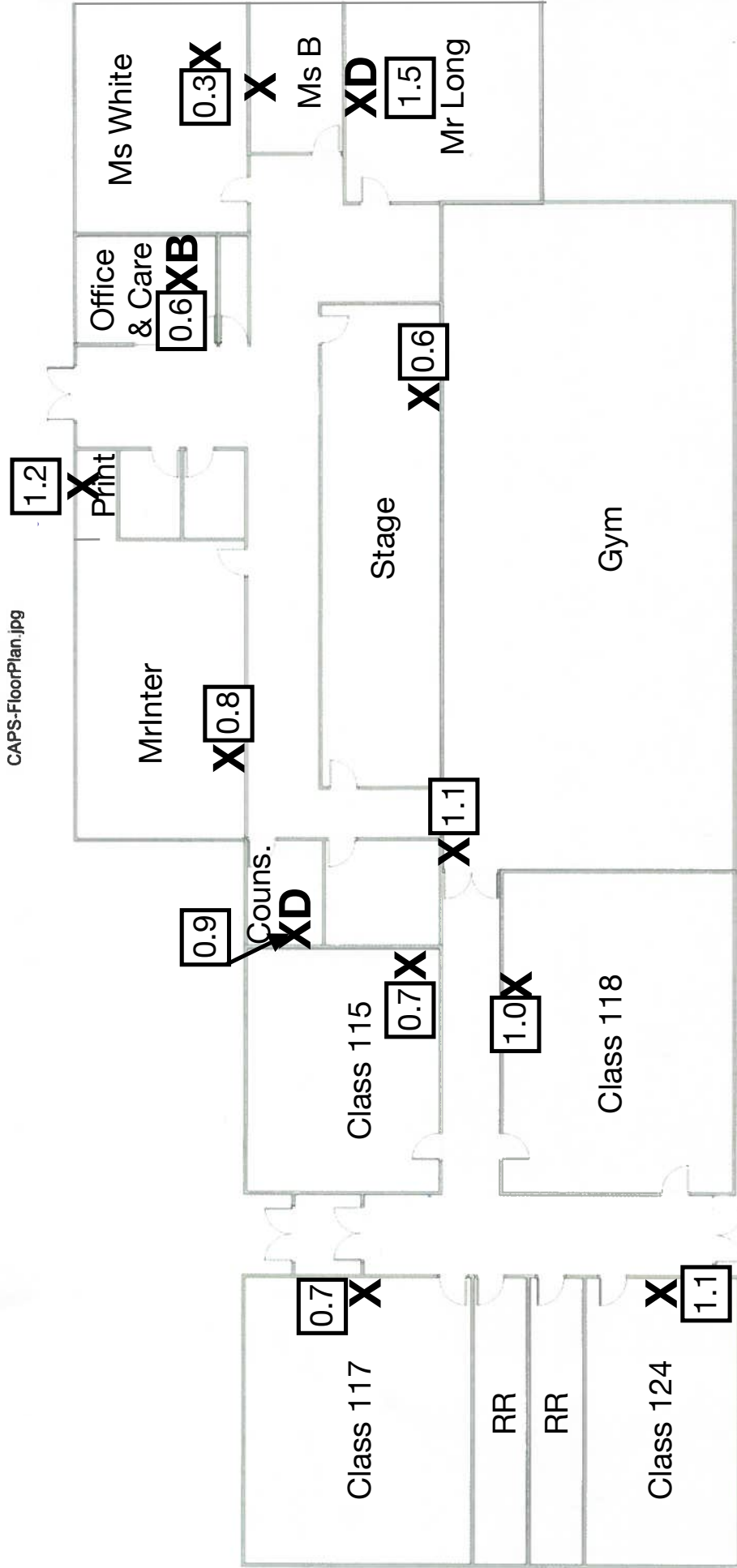
Thank you,
 Felicia Flanders
 NRPP 112059 RMP



 National Radon Proficiency Program  Felicia Flanders Radon Measurement Professional ID Number: #112059-RMP Valid 2025-03-25 - 2027-04-30 <small>To confirm validity of this certification call 828-348-0185. Verification of adherence to state and local regulations is advised. See reverse for specific certification designations.</small>	Felicia Flanders #112059-RMP This individual is certified for the use of passive measurement devices to be analyzed by NRPP certified Analytical Laboratories and also certified to provide Analytical Services using the following device(s): CR-2282 SunRadon 1028-XP AT-8207 RSSI AT-101 AC-8201 Air Chek Pro Chek <small>The radon office for the state in which this person resides may be contacted for information on radon and local requirements. For additional information contact NRPP at 828-348-0185, or visit the NRPP web-site at nrpp.info State Radon Program Contact Number: (971) 673-0440</small>
--------------------------------------------------------------------------------------------------------------------------------------------------------------------------------------------------------------------------------------------------------------------------------------------------------------------------------------------------------------------------------------------------------------------------------------------------------------------------------------------------------------------------------------------------------	---------------------------------------------------------------------------------------------------------------------------------------------------------------------------------------------------------------------------------------------------------------------------------------------------------------------------------------------------------------------------------------------------------------------------------------------------------------------------------------------------------------------------------------------------------------------------------------------------------------------------------------------------------------------------

Appendix A: Map of Results - Corbett Arts Program

CAPS-FloorPlan.jpg

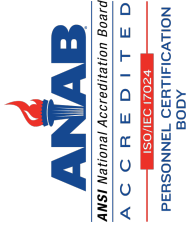


P3606 / WADE GERVAIS

Kit Number	Start Date	Start Time	End Date	End Time	Temp.	Facility	Building	Room	Project ID	Floor	Result
12279801	2026-01-26	7:00 am	2026-01-30	7:00 am	70			OFFICE AND CARE ROOM B	CORBETT ARTS PROGRAM WITH SPANISH I	1	<0.3
12279874	2026-01-26	7:00 am	2026-01-30	7:00 am	70			ROOM 118	CORBETT ARTS PROGRAM WITH SPANISH I	1	1.0
12279891	2026-01-26	8:00 am	2026-01-30	7:00 am	70			MS B CLASSROOM	CORBETT ARTS PROGRAM WITH SPANISH I	1	1.2
12279893	2026-01-26	7:00 am	2026-01-30	7:00 am	70			ROOM 115	CORBETT ARTS PROGRAM WITH SPANISH I	1	0.7
12350023	2026-01-26	8:00 am	2026-01-30	7:00 am	70			MS WHITE CLASSROOM	CORBETT ARTS PROGRAM WITH SPANISH I	1	<0.3
12350031	2026-01-26	7:00 am	2026-01-30	7:00 am	70			COUNSELING	CORBETT ARTS PROGRAM WITH SPANISH I	1	0.9
12350035	2026-01-26	7:00 am	2026-01-30	7:00 am	70			GYM EAST	CORBETT ARTS PROGRAM WITH SPANISH I	1	1.1
12350037	2026-01-26	7:00 am	2026-01-30	7:00 am	70			MR MCLINTIR CLASSROOM	CORBETT ARTS PROGRAM WITH SPANISH I	1	0.8
12350102	2026-01-26	7:00 am	2026-01-30	7:00 am	70			OFFICE AND CARE ROOM	CORBETT ARTS PROGRAM WITH SPANISH I	1	0.6
12350113	2026-01-26	7:00 am	2026-01-30	7:00 am	70			MR MCINTIR PRINT	CORBETT ARTS PROGRAM WITH SPANISH I	1	1.2
12350145	2026-01-26	7:00 am	2026-01-30	7:00 am	70			GYM STAGE	CORBETT ARTS PROGRAM WITH SPANISH I	1	0.6
12350152	2026-01-26	8:00 am	2026-01-30	7:00 am	70			ROOM 124	CORBETT ARTS PROGRAM WITH SPANISH I	1	1.1
12350155	2026-01-26	7:00 am	2026-01-30	7:00 am	70			COUNSELING	CORBETT ARTS PROGRAM WITH SPANISH I	1	0.9
12350164	2026-01-26	8:00 am	2026-01-30	7:00 am	70			BASEMENT	CORBETT ARTS PROGRAM WITH SPANISH I	0	1.4
12350170	2026-01-26	7:00 am	2026-01-30	7:00 am	70			ROOM 117	CORBETT ARTS PROGRAM WITH SPANISH I	1	0.7
12350172	2026-01-26	8:00 am	2026-01-30	7:00 am	70			MR LONG CLASSROOM	CORBETT ARTS PROGRAM WITH SPANISH I	1	1.6
12350191	2026-01-26	8:00 am	2026-01-30	7:00 am	70			MR LONG CLASSROOM	CORBETT ARTS PROGRAM WITH SPANISH I	1	1.3



Felicia Flanders



Has satisfactorily fulfilled the requirements set forth by the National Radon Proficiency Program and is therefore certified as a:

Radon Measurement Professional

with Standard and Analytical Services

NRPP ID 112059-RMP

Issued On: 2025-03-25 Expires: 2027-04-30

Valid for specific activities or measurement devices, which can be verified with NRPP. State and local agencies may have additional requirements.



In witness Whereof,
I have subscribed my name as a
Representative of NRPP

Ashley Falco
Chair, Certification Council